

LED PANEL LIGHT

CE RoHS

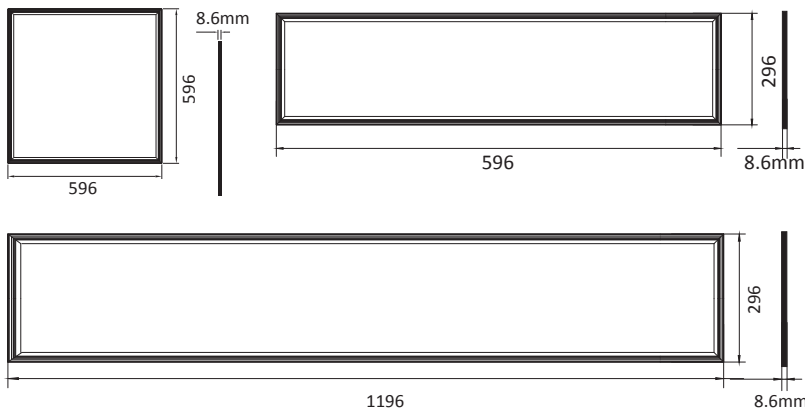
BIS
Certified



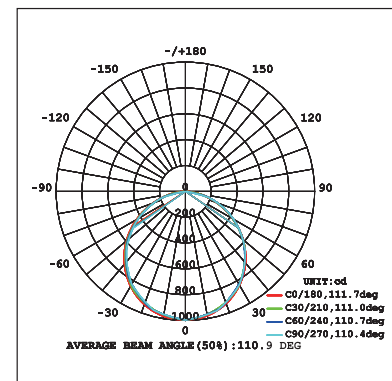
Technical Data Sheet

PARAMETER	SPECIFICATION					
Product Code	RLP036J03 (01/02/03)	RLP048J03 (01/02/03)	RLP055J03 (01/02/03)	RLP024J04 (01/02/03)	RLP036J03 (01/02/03)	RLP048J04 (01/02/03)
Power Consumption	36W	48W	55W	24W	36W	48W
Size (mm)	595*595*8.5	595*595*8.5	595*595*8.5	1195*595*8.5	1195*595*8.5	1195*595*8.5
Lumen	3240lm	4320lm	4950lm	2160lm	3240lm	4320lm
Efficacy	90lm/w					
I/P Voltage	100-240V					
I/P Frequency	50/60Hz					
THD	<10%					
Operating Temp.	(-25°C) to (+45°C)					
Burning Hrs	30,000					
CCT	3000K/4000K/6500K					
CRI	>80					
PF	0.9					
Surge Protection	2KV					
LED Chip	Hongli					
Housing material	Die cast Aluminum+ Polycarbonate					
Diffuser	PMMA					
Beam Angle	110°					
Ingress Protection	IP20					
Mounting Arrangement	recess mounted, with ss mounting clamps					

Dimensions



Photometry



Follow us

